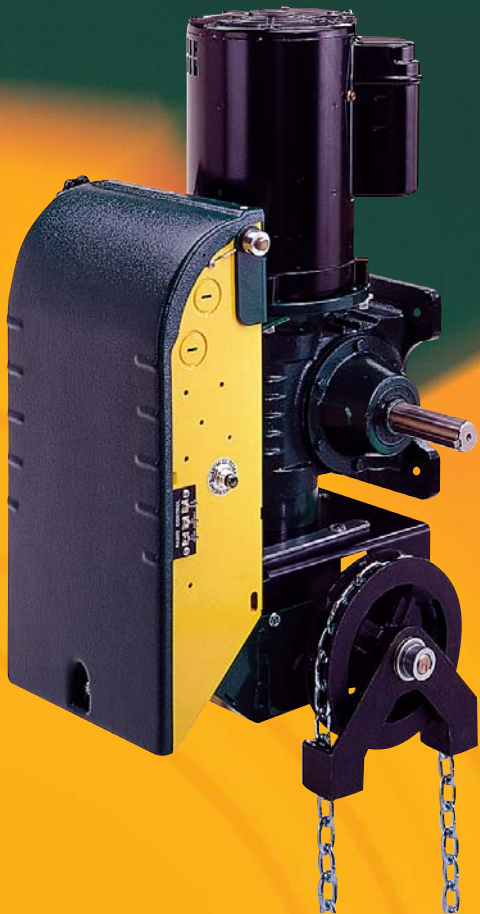


Specification Sheet

Opera™ - GH



- Hoist-a-matic® self-engaging chain hoist
- Hinged cover with stable opened position
- Accu-cam® one hand limit setting
- Installer friendly control box

Opera™-GH, a heavy duty WORM GEAR operator for industrial, standard, high & vertical lift sectional doors or rolling doors and grilles. It can be wall, hood or shelf mounted on either side of the door. It incorporates a self-engaging chain hoist for manual operation.



• Standard Features

Motor: 60Hz high starting torque, continuous-duty 1 phase capacitor start or 3 phase motor, open drip proof with totally enclosed ends, protected against overload. Also available with 50Hz 220V 1 phase and 380V 3 phase motor, consult inside sales.

Reduction: 45:1 worm gear in oil bath reducer with air breather and sealed ball bearings. Output shaft is 1" with 1/4" keyway up to 1HP, 1 1/4" output shaft with 1/4" keyway above 1HP. Output shaft speed: 38 rpm.

Drive: #50 roller chain with a 50B12 sprocket on operator drive shaft. Door sprocket selected for a door travel of 6"/s to 12"/s.

Brake: electrically activated drum type solenoid brake.

Hoist-a-matic®: self-engaging chain hoist with one step operation and automatic power cut off. No floor level engagement device is required, which simplifies operation and installation. Hand chain on right is standard but it can easily be moved to the left in the field.

Electrical Enclosure: all electrical components are in a NEMA 1 enclosure. Electrical enclosure cover is hinged and stable in the open position.

Limit System: rotary-type oil-impregnated steel cams, commercial grade switches. Limit shaft is supported in frame by self-lubricating bronze bushing for increased precision. Remains in time when there is a manual operation or after the motor has been removed.

Accu-cam®: precise and quick one-handed adjustment of the limits.

Corrosion Protection: reducer and control enclosure protected by a long lasting enamel finish.

Mounting: wall mounted, vertical front of hood mounted or horizontal top of hood mounted. On the right or on the left of the door. The use of a wall mounting bracket is recommended.



2 Year Warranty

• Operator Range

Current Consumption (Amp.)

Horse Power	115V 1 Ph	230V 1 Ph	208/ 230V 3 Ph	460V 3 Ph	575V 3 Ph
1/2	8.6	4.1	2.2	1.1	-
3/4	10.4	5.2	2.8	1.4	1.1
1	13.4	6.7	3.4	1.7	1.4
1-1/2	18.6*	9.3	4.8	2.4	1.9
2	-	-	6.2*	3.1*	2.5*

* ECB not available

• Motor Control

Contactors Units: 24VAC control circuit, 40VA class II transformer, fuse protected on output, heavy-duty across-the-line linear reversing contactor with mechanical interlock. C2 wiring is standard. B2 can be set very easily by moving one wire. Available options: delay on reverse, timer to close, double limits, etc...

or

ECB Units: 24Vdc relaying and 5Vdc logic circuit with a 40VA class II transformer, non-volatile memory. Available features: 1.5s delay on reverse, programmable maximum run timer, mid-stop, timer to close, programmable advance close system, test buttons, reverse wiring detection and door lock sensor. Operating mode selectable on site: C2, B2, D1, E2, T or TS.

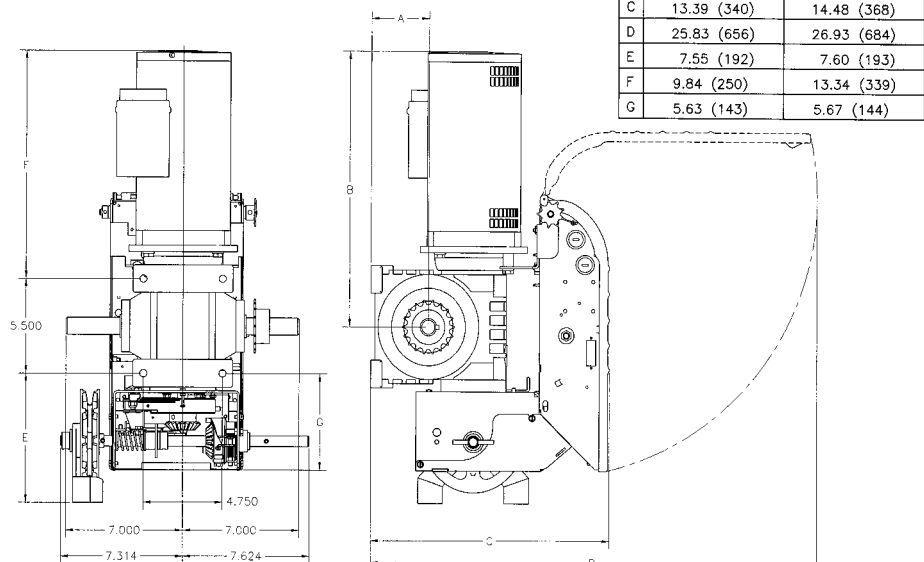
• Motor Selection

Maximum Size of Door in Square Feet

Horse Power	Rolling Doors					Sectional Doors				General Guideline
	Insulated Steel	16 ga. Steel	Steel Grilles 20 ga. Steel	Alu. Door 22 ga. Steel	Alu. Grilles 24 ga. Steel	Steel 18 ga. ins.	Steel 18 ga. 20 ga. ins.	Wood Steel 20 ga. 22 & 24 ga. ins.	Aluminum Steel 22 & 24 ga.	
1/2	157	236	260	319	358	196	245	314	343	392
3/4	206	294	358	451	515	270	319	441	490	549
1	255	358	446	574	613	294	392	490	564	613
1-1/2	353	486	633	-	-	373	466	549	613	-
2	451	613	-	-	-	-	-	-	-	-

• Dimensions

Clearance: side room required 15" (380 mm) with friction clutch add: 1.5" (38 mm)



Approx. shipping weight: 122 lbs – 55 kg

Manaras-Opera reserves the right to make specification or design changes without prior notice.
Reg. T.M. of 9141-0720 Québec Inc.